

Turbocat[®]



Made for the way you clean

The Turbocat is a powerful, turbine-driven powerhead that harnesses the airflow of a central vacuum system for deep, thorough cleaning. It is light, responsive and highly maneuverable with a low-profile body and high impact bumper guards that make it perfect for cleaning under furniture. Turbocat lasts three times longer than electric powerheads and comes with a three-year warranty.

3 year warranty



RugRat[®] Handheld Turbine Brush also available.



The Air-Driven Advantage

Requires No Additional Electricity

The Turbocat operates without electricity, powercords or batteries. This design makes the central vacuum installation easier and less costly.

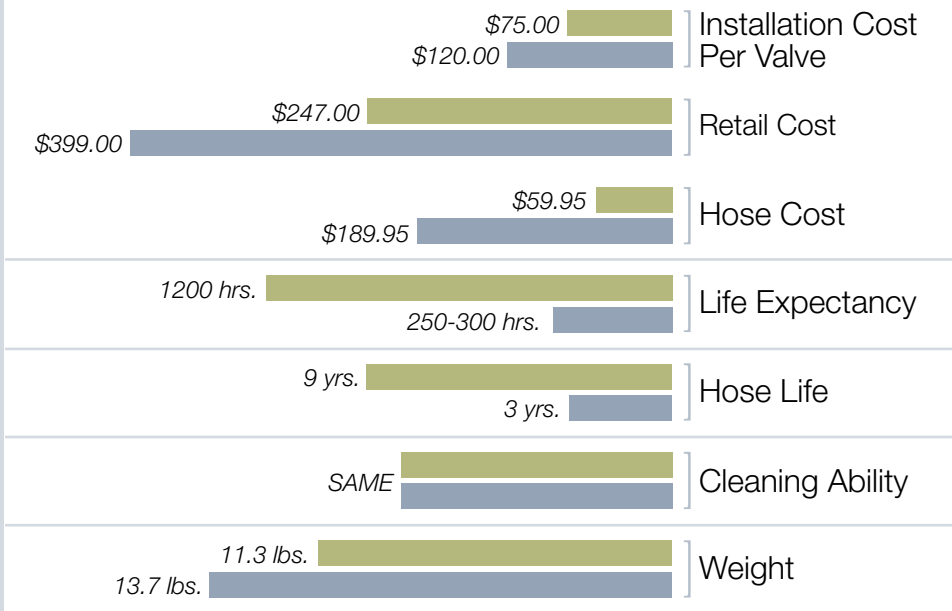
High-Speed Turbine Power

The turbine wheel of the Turbocat rotates at a high RPM, which generates the vacuum power necessary for superior cleaning performance. The turbine shaft prevents hair and other debris from causing belt breakage.

System Performance Indicator

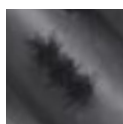
The Turbocat will slow down if the power unit has lost airflow, letting the user know the system isn't working at full capacity. An electric powerhead's brush will continue to rotate normally even when little or no dirt is being picked up.

Turbocat vs. Electric Powerhead



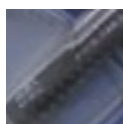
Superior Design

With a wide range of performance-enhancing features, the Turbocat is built for quiet, powerful, long-lasting operation.



Exclusive DeepSweep™ Agitator

The DeepSweep Agitator brings embedded dirt to the surface so it can be vacuumed away. A row of long crimped bristles separate carpet fibers for deep, thorough vacuuming.



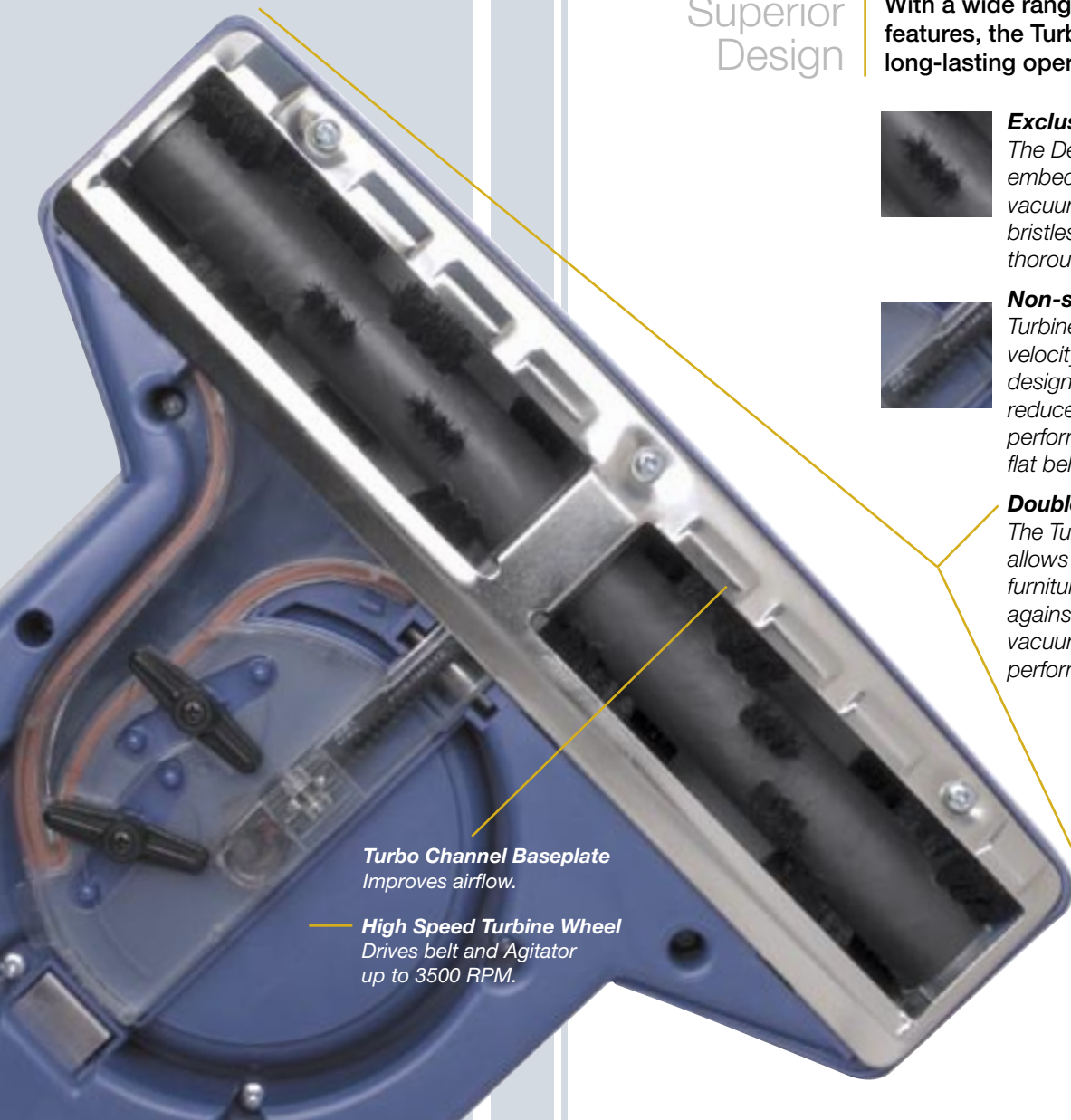
Non-slip Cogged Drive Belt

Turbine power is relayed to the high velocity DeepSweep Agitator by a specially designed cogged drive belt. The belt reduces slippage for more consistent performance, and outlives the conventional flat belts used on electric powerheads.

Double-Edge Cleaning

The Turbocat's exclusive T-Shape Design allows for easy maneuvering around furniture and true edge cleaning even against baseboards. The wide 13" vacuum path provides superior cleaning performance.

Available Through:



Turbo Channel Baseplate
Improves airflow.

High Speed Turbine Wheel
Drives belt and Agitator up to 3500 RPM.